



A complete range



of

Vacuum Valves

PLUG IN
VACUUM TECHNOLOGIES

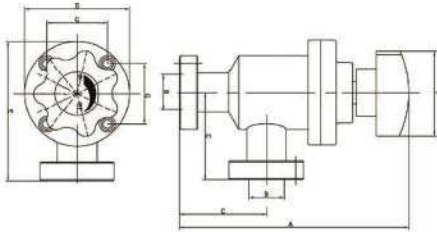
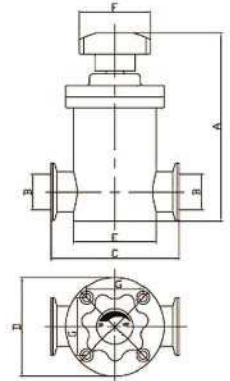




GD series, Straight through

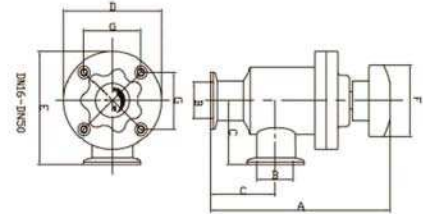
- Vacuum range: 1×10^5 - 6.7×10^{-6} Pa bellow seal
 1×10^5 - 6.7×10^{-4} Pa viton seal
- Valve leak rate: $\leq 1.3 \times 10^{-8}$ mbar.l/s bellow seal
 $\leq 1.3 \times 10^{-6}$ mbar.l/s viton seal
- temperature: -25 ~ +80 (NBR) 30 ~ +150 (Viton)
- Material: DN ≤ 50 SST; Aluminum optional
 DN ≥ 63 SST
- Sealing element: Viton; bellow seal
- Applicable media: clean air or non-corrosive gases

Model	VGD-16	VGD-25	VGD-40	VGD-50
DN	16	25	40	50
A	105	132	171	207
B	16	25	40	50
C	80	90	120	130
D	51	69	82	92
E	51	58	86	92
F	40	50	63	63
G	28	40	50	80



GD-J Right angle valves CF series

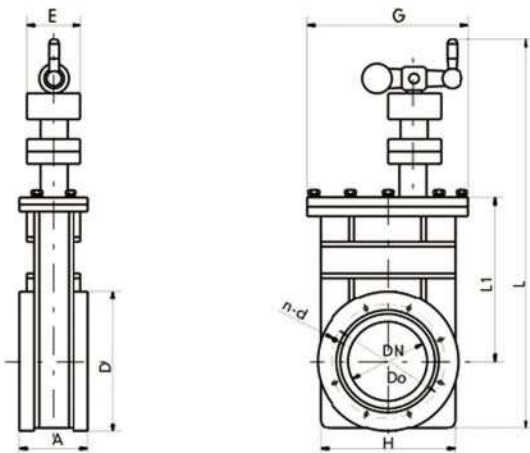
Model	VGD-J16CF	VGD-J25CF	VGD-J40CF	VGD-J50CF
DN	16	25	40	50
A	105	137	152	185
B	16	25	35	50
C	40	55	63	70
D	48	69	70	92
E	64	80.5	97.5	115
F	40	50	63	63
G	28	40	40	63.6



GD-J Right angle valves KF series

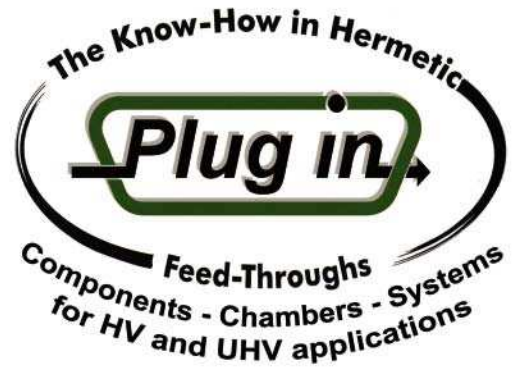
Model	VGD-J16	VGD-J25	VGD-J40	VGD-J50
DN	16	25	40	50
A	130	148	170	201
B	16	25	40	50
C	35	45	55	65
D	51	69	86	92
E	91	112	131	140
F	107.5	128	157	196
G	28	40	50	50

Manual High vacuum gate valve



- Vacuum range: 1×10^5 - 1.3×10^{-7} Pa (DN ≤ 200)
 1×10^5 - 6.7×10^{-7} Pa (DN ≥ 250)
- Valve leak rate: $\leq 6.7 \times 10^{-10}$ mbar.l/s (DN ≤ 200) and $\leq 1.3 \times 10^{-9}$ mbar.l/s (DN ≥ 250)
- Temperature: -30 ~ 150
- The differential pressure between the two sides of valve disc upon valve opening: $\leq 3 \times 10^3$ Pa
- Cycles until first service: 100,000 cycles
- Mounting State: Any
- Material: Body and plate SST
- Sealing element: viton, Bellow seal
- Applicable media: clean air or non-corrosive gases

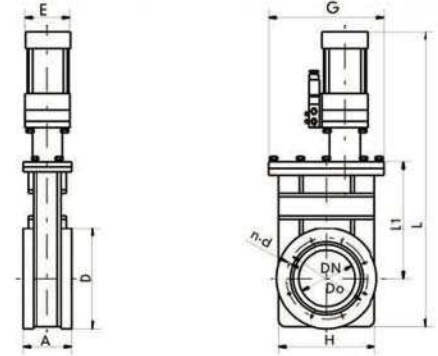
Model	VCC-63	VCC-100	VCC-150	VCC-200	VCC-250	VCC-320
DN	63	100	150	200	250	320
A	65	70	70	80	100	120
H	105	152	202	251	300	372
D	114	152	202	253	314	385
Do	92.1	130.2	181	231.8	288	357
L	566	653	771	889	1127	1197
L1	180	267	350	424	550	613
G	125	170	220	270	350	440
E	124	124	150	150	200	200



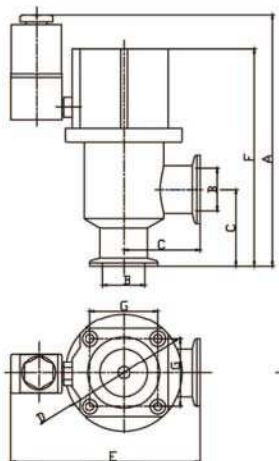
Pneumatically Operated High Vacuum Gate Valve

- Vacuum range: $1 \times 10^5 \sim 1.3 \times 10^{-7}$ Pa (DN \leq 200) - $1 \times 10^5 \sim 6.7 \times 10^{-7}$ Pa (DN \geq 250)
- Valve leak rate: $\leq 6.7 \times 10^{-10}$ mbar.l/s (DN \leq 200) - $\leq 1.3 \times 10^{-9}$ mbar.l/s (DN \geq 250)
- Temperature: -30 ~150
- The differential pressure between the two sides of valve disc upon valve opening : $\leq 3 \times 10^3$ Pa
- Cylinder Air Pressure: 0.4~0.6Mpa
- Cycles until first service: 100,000 cycles
- Mounting State: Any, but level is the best.
- Material: Body and plate SST
- Sealing element: viton, Bellow seal
- Power: standard: AC220V/50HZ Special: AC110V, DC24V
- Applicable media: clean air or non-corrosive gases.
- Provided with feedback signal device

Model	VCCQ-63	VCCQ-100	VCCQ-150	VCCQ-200	VCCQ-250	VCCQ-320
DN	63	100	150	200	250	320
A	65	70	70	80	100	120
H	105	152	202	251	300	372
D	114	152	202	253	314	385
D ϕ	92.1	130.2	181	231.8	288	357
L	566	653	771	889	1127	1197
L1	180	267	350	424	574	613
G	125	178	220	270	350	440
E	80	95	95	115	140	140

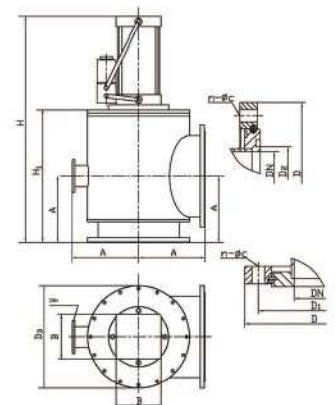


Model	DN	A	B	C	D	E	F	G
VGDQ-J16	16	130	16	35	$\phi 51$	91	107.5	28
VGDQ-J25	25	148	25	45	$\phi 69$	112	128	40
VGDQ-J40	40	170	40	55	$\phi 86$	131	157	50
VGDQ-J50	50	201	50	65	$\phi 92$	141	196	50



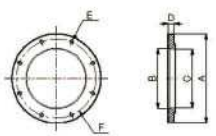
Pneumatically Operated High Vacuum Baffle Valve

- Vacuum range: $1 \times 10^5 \sim 6.7 \times 10^{-6}$ Pa bellow seal - $1 \times 10^5 \sim 6.7 \times 10^{-4}$ Pa viton seal
- Valve leak rate: $\leq 1.3 \times 10^{-8}$ mbar.l/s bellow seal - $\leq 1.3 \times 10^{-6}$ mbar.l/s viton seal
- temperature: -25 ~+80 (NBR) 30 ~+150 (Viton)
- Material: DN \leq 50 SST; Aluminum optional - 50<DN \leq 500 SST
- Cylinder air pressure: 0.4~0.6Mpa
- Sealing element: Viton seal ;bellow seal
- Power: standard: AC220V/50HZ - Special: AC110V, DC24V
- Applicable media: clean air or non-corrosive gases.
- The signal feedback device is optional



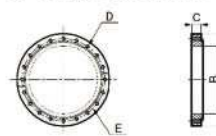
Model	DN	D	D1	D2	D3	A	H	H1	B	a- ϕ C
VGDQ-J63	63	130	110	68	108	88	243.5	163	64	4- $\phi 9$
VGDQ-J80	80	145	125	85	138	98	277.5	181.5	77	8- $\phi 9$
VGDQ-J100	100	165	145	105	159	108	323	222	77	8- $\phi 9$
VGDQ-J160	160	225	200	165	219	138	547	308	112	8- $\phi 11$
VGDQ-J200	200	285	260	208	285	200	536.5	368	98	12- $\phi 11$
VGDQ-J250	250	335	310	258	335	208	693	372	145	12- $\phi 11$
VGDQ-J320	320	425	395	328	400	250	890	495.5	190	12- $\phi 14$
VGDQ-J400	400	510	480	410	510	330	1080	660	225	16- $\phi 14$
VGDQ-J500	500	610	580	510	620	360	1004	740	240	16- $\phi 14$

ISO flange dimension



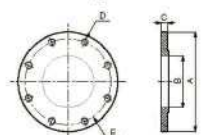
Model	DN100	DN150	DN200	DN250	DN300
A	165	225	285	335	425
B	102	153	213	261	318
C	100	150	200	250	306
D	12	16	16	16	20
E	8XM8	8XM10	12XM10	12XM10	12XM12
F	145	200	260	309.9	395

CF flange dimension



Model	DN100	DN150	DN200	DN250	DN300
A	152	202.4	253.2	305	355.6
B	100	150	200	250	300
C	20	22	24.5	28	28.5
D	16XM8	20XM8	24XM8	32XM8	30XM8
E	130.2	181	231.8	284	325.4

ANSI flange dimension



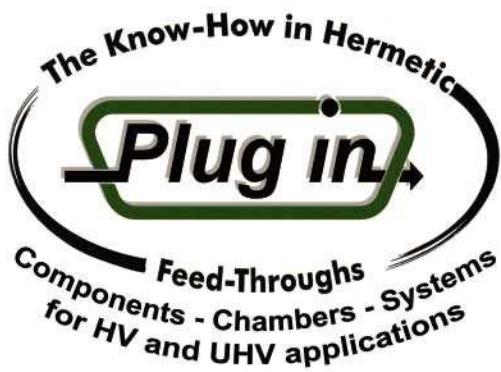
Model	ASA4	ASA6	ASA8	ASA10	ASA12
A	227.6	279.4	279.4	406.4	482.6
B	100	150	200	254	300
C	12.7	19	19	25.4	27
D	8XM10	8XM20	8XM20	8XM20	12XM20
E	190.5	241.3	241.3	362	431.8



Plug In manufactures or distributes the finest quality product available to the marketplace, however these products are intended to be used in accordance with the specifications described in this catalog. Any use or application that deviates from the stated operating specifications is not recommended and may be unsafe.

Specifications are subject to change without notice. Consult Plug In for latest design specifications. All statements, information and data provided herein are believed to be accurate and reliable but are presented without guarantee, warranty or responsibility of any kind, expressed or implied. The user should not assume that all safety measures are indicated or that other measures may not be required.

Drawing dimensions are in millimeters



Headquarters

France, Belgium, Italy, Spain, Netherlands

Plug In Sarl

5, rue du Corps Franc du Sidobre

F-81210 Roquecourbe

Phone : +33 (0)563 82 50 60 Fax : +33 (0)563 82 50 70

E-Mail : quality@plugin.fr

Germany, Austria, Switzerland and Eastern Europe

Plug In Vacuum Technologies GmbH

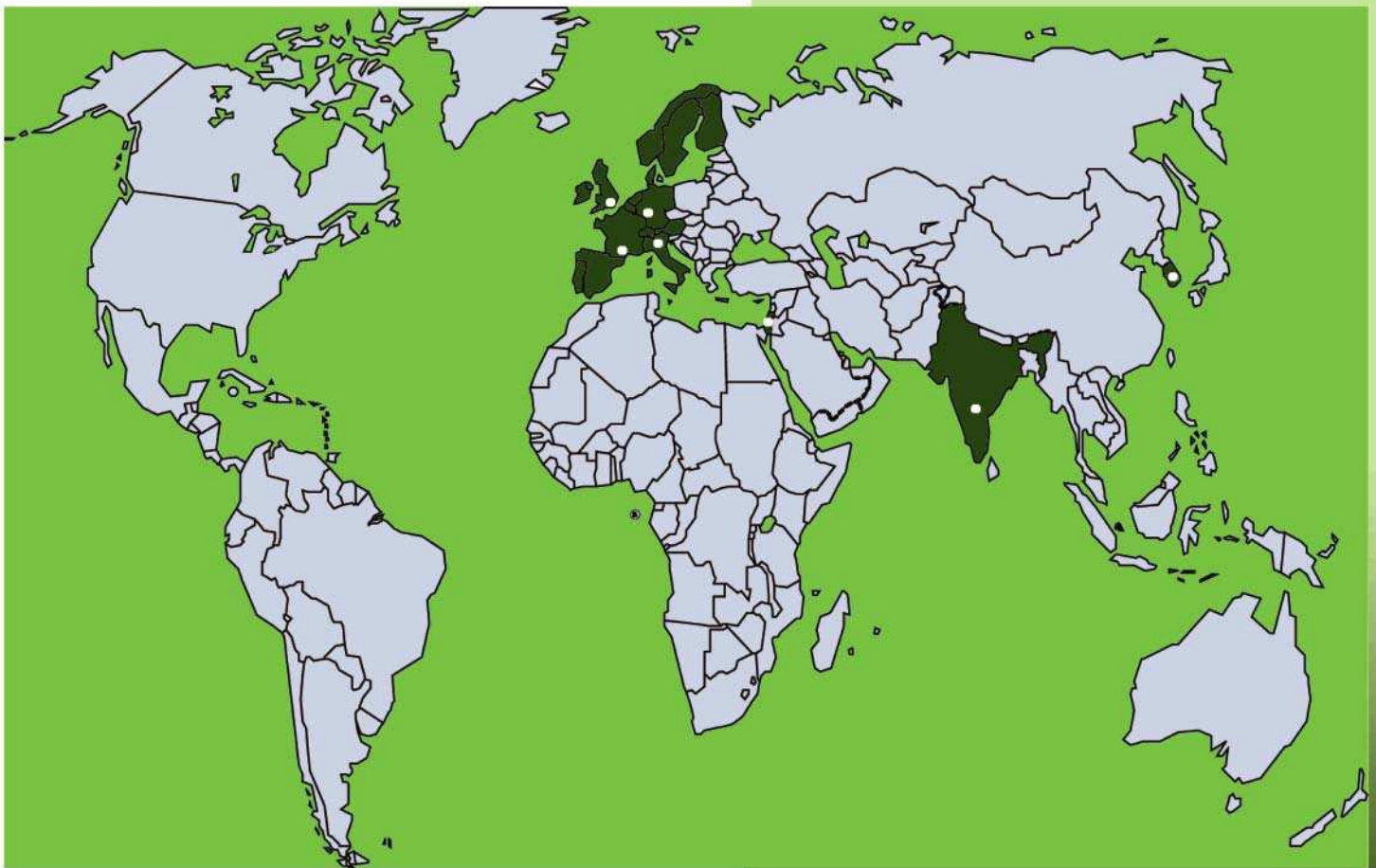
Seegasse 12a

D-63505 Langenselbold

Phone.: +49 (0)6184 900 575 Fax : +49 (0)6184 900 571

E-Mail : pluginvacuum@gmx.de

Internet : www.plugin-vacuum.com



Sales Partners :

United Kingdom / Ireland

Vacuum Services Ltd
Ivyhouse Lane
Unit 5
Haywood Way
Hastings
East ussex
TN354PL
Phone : +44 (0)1424 44 77 26
Fax : +44 (0)1424 44 77 36
E-Mail : sales@vacuumservices.ltd.uk

Italy

LILLUZ
via Cesare Battisti, 29
I-20036 Meda (MI)
Phone : +39 0362 222 895
Mobile : +39 347 4595 169
E-Mail : info@lilluz.com

Israel

Dixel Electronics Ltd
19, Ha'haroshet Street - Keider Center
Industrial Zone P.O.B. 3060
43101 RA'ANANA - ISRAEL
Phone : +972 (9) 7438702
Fax : +972 (9)7469481
E-Mail : info@dixel.co.il

India

Tecsol Marketing
205 II Floor Amsri Plaza
9-1-164 S.D. Road,
N-500-003 Secunderabad
Phone : +91 40 2270 69 33
Fax : +91 40 2270 69 34
E-Mail : tecsolmktg@eth.net
E-Mail : tecsolmktg@vsnl.net

Korea

ASIK
#416,Be1 Officetel,
648-6, Deungchon-Dong
Gangseo-Gu, Seoul 157-840, Korea
Phone : +82-2-3663-4275
Fax : +82-2-3663-4274
E-Mail : dkchoi@asik.ne.kr

PLUG IN VACUUM TECHNOLOGIES